

SEPTEMBER 1993

BARON AID

A Monthly Publication for the Beer Barons of Milwaukee
"Dedicated to the Education and Enjoyment of Fermented Malt Beverages"

September Monthly Meeting

The September monthly meeting is at 7:30 pm on September 22 at Clifford's (10418 W. Forest Home Ave, Hales Corners). The featured speaker will be a representative from Spaten. At the meeting we will be able to sample some of their offerings. If you are not a member of the Beer Barons and have not yet attended one of our meetings, please come join us.

Style Groups

As this year draws to a close, we need to start thinking about forming new style groups. Currently there are two groups active, one looking at Belgian Ales and the other studying lagers.

You might want to consider starting a group that joins a "beer of the month" club. This group would not concentrate on a single style but rather on a particular micro-brewery each month. Typically, these clubs offer several different types of beer from one or two micro-breweries each month. The cost of the membership would be distributed amongst the group members. Another possibility would be a social group instead of an actual style group. Each month the group could meet at a different drinking establishment and critique the bar's selection. You can even come up with your own idea but at least start thinking about it now.

Events Calendar

September 25th - This is the deadline to have your beers entered in the Minnesota Brewfest '93 Homebrew Competition. This is an AHA sanctioned competition that is sponsored by Sherlock's Home and the Minnesota Brewers Association. Call (612) 931-0203 NOW for details.

October 11th - This is the deadline to have your beers entered in The Taste of the Great Lakes™ competition. This is an AHA sanctioned competition that takes place in Frankenmuth, MI. Call Jeff Hervert at (517) 652-3445 for details.

October 27th - Belgian Ale style group will be hosting the Club's October meeting.

October 30th - This is the deadline to have your beers entered in "The Second Annual Spooky Brew Review" competition in Chicago, IL. Call Steve Hamburg at (312) 878-0177 for details.

Reminder

Now that fall is upon us, the brewing "season" can now begin again in earnest. According to *Zymurgy*, you would do well to start brewing up doppelbocks now so that they'll be ready to drink in the spring. Also, October is the time to cook up your Christmas Ale concoctions and bock beers if you want to be tasting them during the holidays and the spring, respectively.

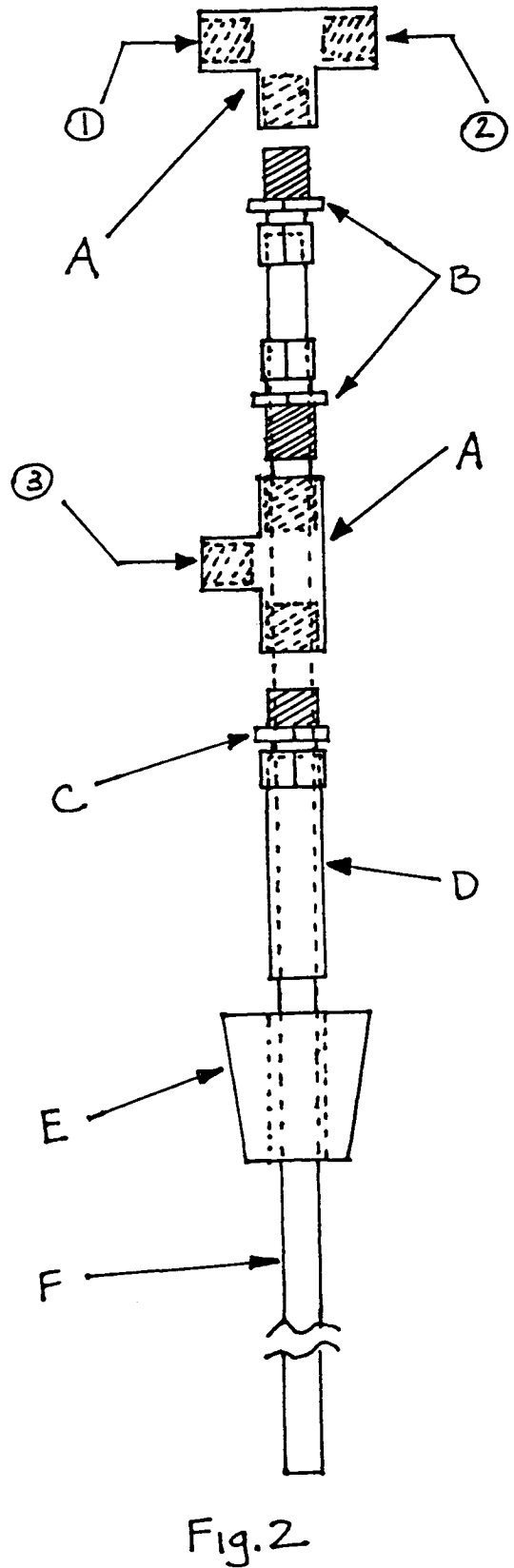
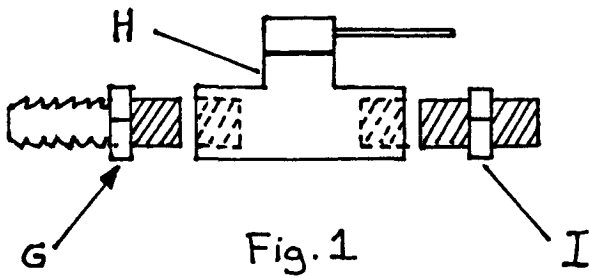
COUNTER-PRESSURE BOTTLE FILLER

by Paul Arneson

When visiting friends or relatives, I've often wanted to take some homebrews along with me so that others can have a taste. Unfortunately, it seems like the best brews that I've made are sitting in kegs and not in bottles. Not really wanting to drag my keging system around with me nor do I want these people consuming all of my brew, a counter-pressure bottling system would seem to be the answer. However, being a frugal homebrewer I've never wanted to pay the bucks to buy one.

After reading an article in the Summer 1993 issue of *The Fermenter*, a quarterly publication put out by The Prairie Homebrewing Companions, I found the answer to my dilemma. The article, "Outfoxing The Foxx or Taking The Pressure Off Bottling" by Carl Eidbo, describes in detail on how the counter-pressure system works for bottling homebrew from kegs. More importantly, the article also includes a diagram and parts list so that you can make your very own bottle filler. For those of you out there wanting to build your own counter-pressure bottle filler, included here is a parts list and a reasonable facsimile of Mr. Eidbo's diagram.

Figure 1 shows the valve assembly, you will need to make three of these. Figure 2 shows the main body assembly. This figure also shows the locations, labelled 1, 2 & 3, where the valve assemblies are attached to the main body.





PARTS LIST (quantity)

- A. 1/4" Female Pipe Tee (2)
- B. 1/4" Male Pipe to 1/4" Tube Compression (2)
- C. 1/4" Male Pipe to 3/8" Tube Compression (1)
- D. 3/8" O.D. X 1.5" Tube, Stainless Steel (1)
- E. Rubber Stopper with 3/8" hole, #2 (1)
- F. 1/4" O.D. X 15" Tube, Stainless Steel (1)
- G. 1/4" Male Pipe to 1/4" Hose Stem (3)
- H. 1/4" Female Pipe Ball Valve (3)
- I. 1/4" X 1/4" Male Pipe Nipple (3)

BARON MIND

Published by
the Beer Barons of Milwaukee

A nonprofit organization.

Club Officers

President - Andy Moss (375-4216)
Vice President - Dennis Davison
(545-9246)
Treasurer - Scott Lord (242-7836)
Newsletter Editor - Paul Arneson
(662-2834)

The *BARON MIND* is published monthly for members of the Beer Barons of Milwaukee thanks to the efforts of Paul Arneson, Jeff Brown, Maryann Sulkowski, Ted Wilinski, and other club members who contribute articles.

We welcome any comments or suggestions.

Meeting Protocols

Here's a quick reminder to club members and their guests about our meetings at Clifford's. We don't pay Clifford's any fees to use the upstairs room, so please come early once in awhile for a brew or dinner. Or, if you're in the mood for a Friday-night fish fry, stop by Clifford's - it's one of the best in Milwaukee. Be sure to mention that you are a member of the Beer Barons so they know we are patronizing their restaurant.

Also, please remember to bring beer mugs for yourself and your guests to our meetings. We can't use the glasses from the upstairs bar. Another good rule to follow is to clean up anything you get dirty or put away anything that you move around. We are our own "cleaning service" when it comes to putting away tables and chairs, emptying ashtrays, and throwing out empties. We want to be good guests so we can keep getting our great deal on a meeting hall!

Brew News

BBS

A new computer Bulletin Board System (BBS) titled Home Brew University BBS - Midwestern Campus is now available for zymologists. The 24-hour BBS may be reached by dialing (708) 705-7263 (baud rate range of 1200 to 14400). Use standard BBS communication parameters of: No parity, 8 Data bits and 1 Stop bit (N-8-1).

Coors

This summer the Colorado Department of Health levied a \$1.05 million fine against Coors Brewing Company for violations of the state's air pollution regulations. The fine, in part, was issued after the results of a \$1 million air emissions audit, initiated by Coors, were turned into the state. These results showed the brewery emits far more volatile organic compounds (VOC) than was previously suspected. VOCs are precursors to the type of ozone formation that contributes to smog. This study may have a great impact on all major U.S. breweries.



Membership Information

Annual membership dues are ten dollars. Basically, this pays for the cost of producing and mailing this newsletter. In addition, we charge fees for the meetings, between \$1 and \$5, depending on the cost of the beer we taste that night. Membership dues can be paid at the monthly meetings or you can send a check for \$10 to the Beer Barons of Milwaukee, P.O. Box 27012, Milwaukee, WI 53227.

We mail the newsletter free of charge to prospective members for three months. The date that appears on your newsletter address label is the end of the three month period. If that date is prior to 9/1/93 you will not receive another newsletter unless you pay the annual dues.

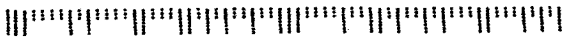
For current club members, it is up to you to remember to renew -- we do not send out reminders. So check the date on your address label to see if it's time to ante up.

Support Clifford's Supper Club with your patronage.

Clifford's allows us to use their banquet room at no charge to the Milwaukee Beer Barons.

Our support will help show our appreciation.

PLUS - The food is VERY GOOD!!



Charter Membership Expires 1/1/94
Larry Krollkowski
12105 W. Howard Ave.
Greenfield, WI 53228



BEER BARONS
of Milwaukee
P.O. Box 27012
Milwaukee, WI 53227

